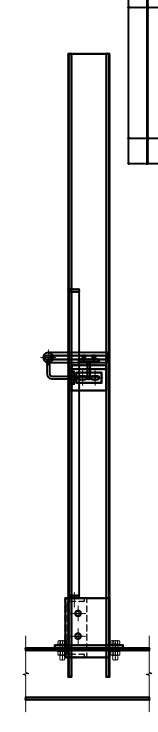
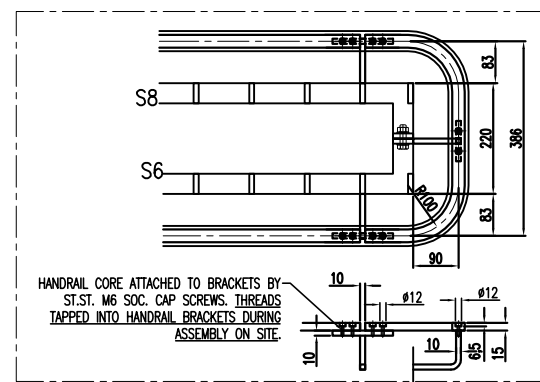
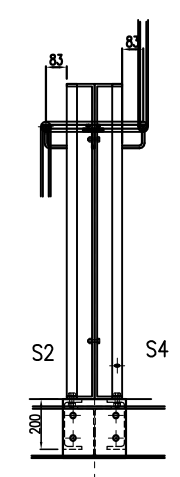
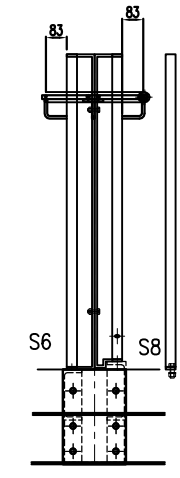
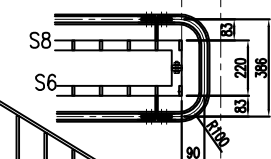
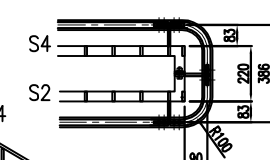
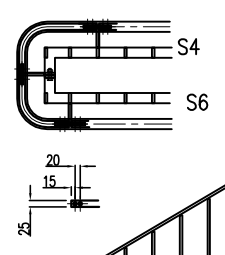
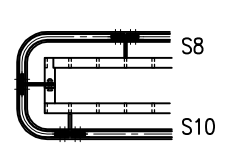
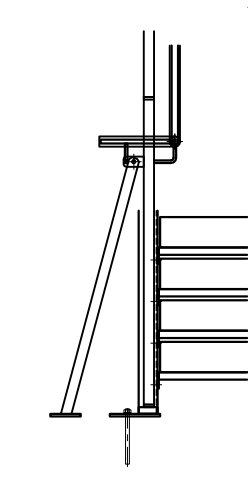
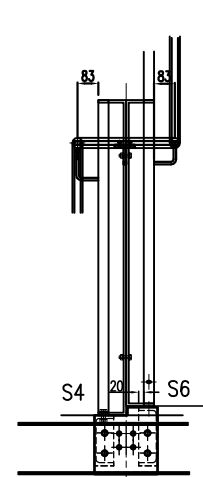
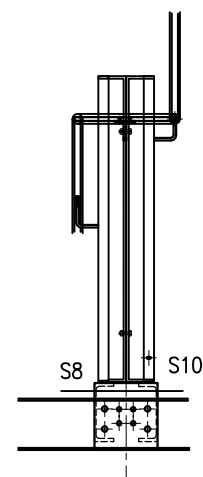
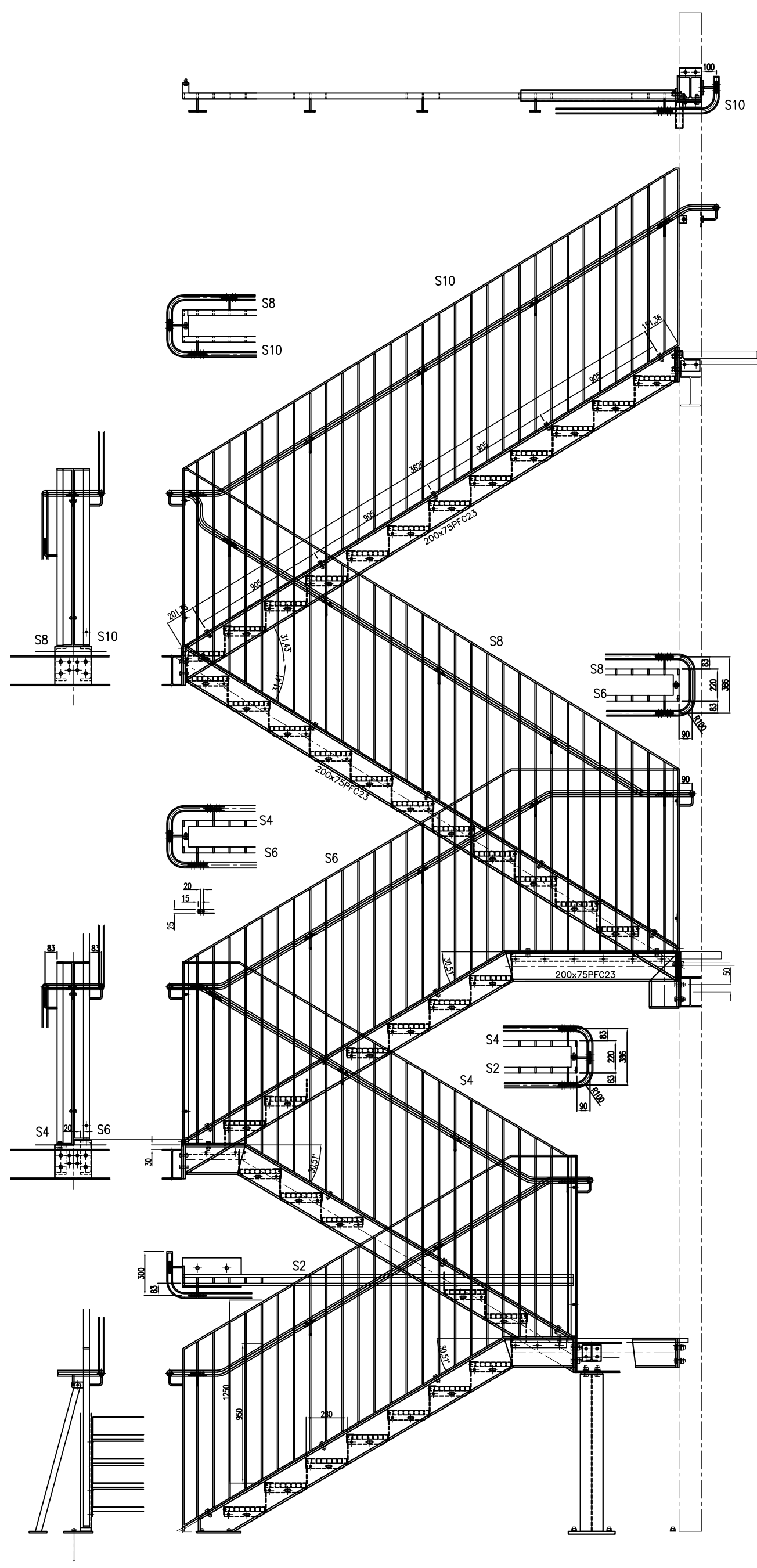


E
D
C
B
A



NO.	DESCRIPTION	DATE	BY	CHECKED
1	FOR CONSTRUCTION	05/11/10	JAS	JLL
REVISIONS				
STAIRCASE BALUSTRADES KIER THAMESVIEW SCHOOL EXTERNAL STAIRS 5 INNER BALUSTRADE GA PROJECT NO. TVS-X-A-(24)X18 DRAWING NO. 1:5000A3 DATE 11.11.10 SCALE SHEET NO. 1 TOTAL SHEETS 1				

4

3

2

1